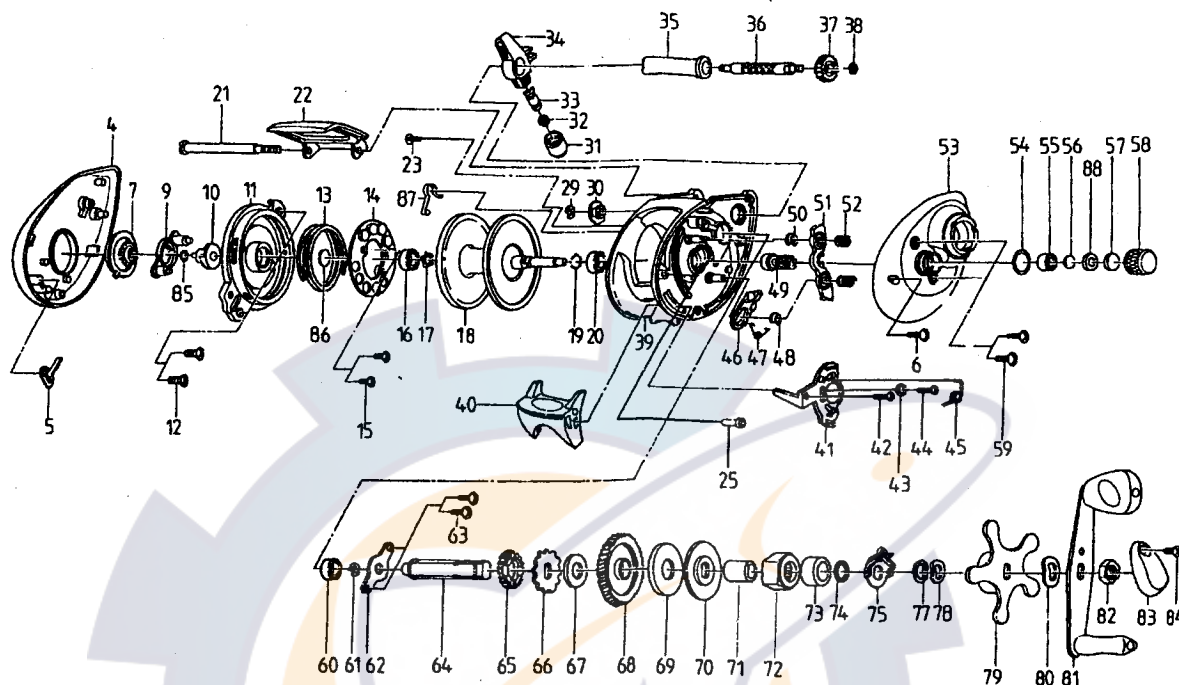


"An American Family Tradition"

BAITCASTING REEL

BCR 510



Key No.	Parts No.	Parts Name	Key No.	Parts No.	Parts Name
4	6K298410	Left side plate	50	63201402	Pinion yoke shaft retainer
5	6K295801	Click pawl	51	6K294201	Pinion yoke
6	6K509702	Right side plate screw	52	6K299101	Pinion yoke spring
7	6K298604	Control dial	53	6K298310	Right side plate
9	6K296101	Slider cam A	54	6K176501	O-ring
10	6K298501	Slider cam B	55	6K176701	Tension knob ball bearing
11	6K295902	Spool cover	56	6K164605	Spool tension washer A
12	6K218502	Spool cover screw	57	6K177001	Spool cushion washer
13	6K296001	Coil spring	58	6K259106	Spool tension knob
14	6K179701	Magnet plate assembly	59	6K177202	Right side plate screw
15	6K509702	Magnet plate screw	60	6K170601	Crank shaft lower ball bearing
16	6K283401	Ball Bearing	61	63201402	Crank shaft retainer
17	6K170701	Push nut	62	6K293901	Crank shaft bearing plate
18	6K297605	Spool assembly	63	6K173001	Crank shaft bearing plate screw
19	6K293301	Ring	64	6K256701	Crank shaft
20	6K170601	Ball bearing	65	6K258101	Oscillate drive gear
21	6K298901	Stabilizer bar	66	6K174401	Trip ratchet
22	6K298210	Front support	67	6K174504	Trip ratchet washer
23	6K171403	Locking collar screw	68	6K258203	Drive gear
25	6K261701	Bush	69	6K174902	Drag disc
29	63205901	Worm shaft retainer	70	6K175003	Drag "D" washer
30	6K172201	Worm shaft bushing	71	6K336901	One way bearing sleeve
31	6K256805	Pawl cap screw	72	6K751501	One way bearing assembly
32	6K148803	Line guide pawl washer	73	6K582201	Crank shaft ball bearing
33	6K256501	Line guide pawl	74	6K177301	Crank shaft washer
34	6K297405	Line guide Carrier assembly	75	6K259201	Drag click spring retainer
35	6K255901	Worm shaft guide	76	6K259401	Drag click spring
36	6K256201	Worm shaft	77	6K160702	Spring "D" washer
37	6K256301	Oscillate pinion gear	78	6K160702	Spring "D" washer
38	6B339801	Oscillate pinion gear retainer	79	6K259516	Star drag assembly
39	6K293006	Frame	80	6K161401	Handle washer
40	6K298104	Thumb bar	81	6K297017	Handle assembly
41	6K294101	Release slider	82	6K178305	Handle nut
42	6K053401	Thumb bar screw	83	6K295104	Handle nut cap
43	6K161802	Release slider guide washer	84	63511801	Handle nut cap screw
44	6K171401	Release slider guide screw	85	6K180201	O-ring
45	6K257401	Release slider spring	86	6K164605	Spool tension washer B
46	6K297301	Kick lever	87	6K298801	Locking spring
47	6K297701	Kick lever spring	88	6K176903	Spool tension collar
48	63201402	Kick lever retainer			
49	6K257701	Pinion gear assembly			